



STUDIOSILICE

ART GLASS
DESIGN

A LIGHTING COLLECTION

D'ORO

www.studiosilice.com



These lamps are contemporary and vintage inspired, very sculptural and each is a unique piece designed and handmade in our studio located in the heart of Rome, Italy.

The lamps of the "D'ORO" collection create a warm and modern atmosphere.

They are handcrafted with an iridescent black opal glass and a golden leaf inside.

Each piece is unique and will vary lightly in its patterns and textures.





ANGOLO big

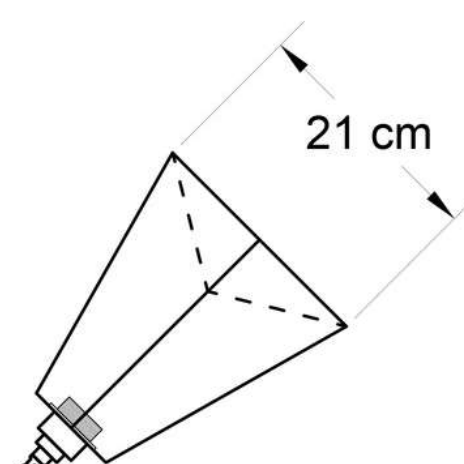
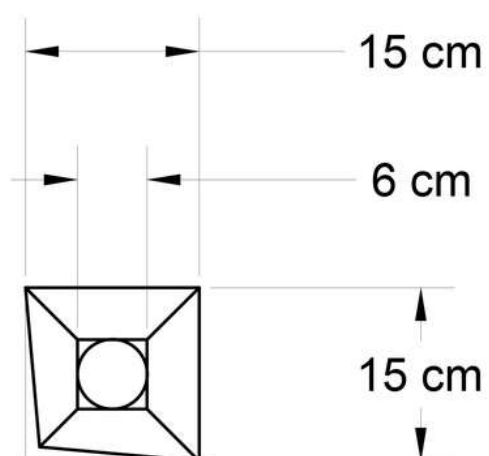
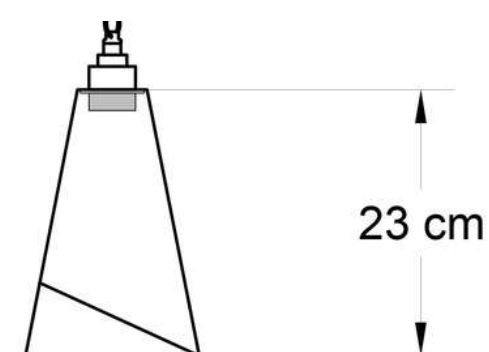
WEIGHT
1,100 kg ca.

MATERIALS
Black opal iridescents glass, golden leaf inside and tinned copper as ancient Tiffany technique.

FINISH
Dark bronze patina.

ILLUMINATION
All the electrical components are included (except bulb).
Lamp holder E27 listed screw type
bronze aged metal.

CEILING MOUNTED
Suspension cable cm 150, electric cable cm 180 and glass ceiling cup per lamp.
All components supplied.





ANGOLO small

0,9 kg ca.

MATERIALS

Black opal iridescents glass, golden leaf inside and tinned copper as ancient Tiffany technique.

FINISH

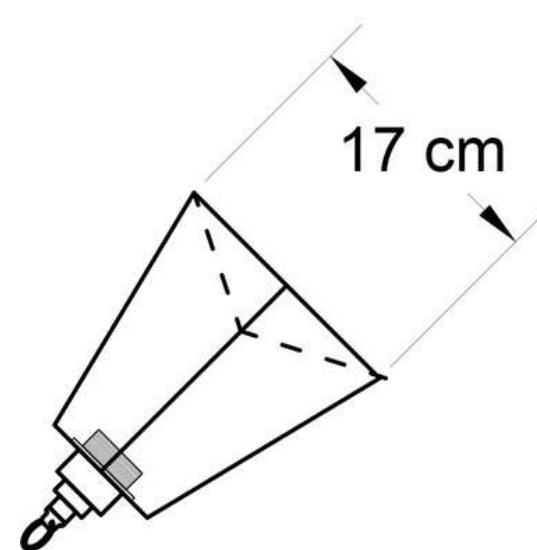
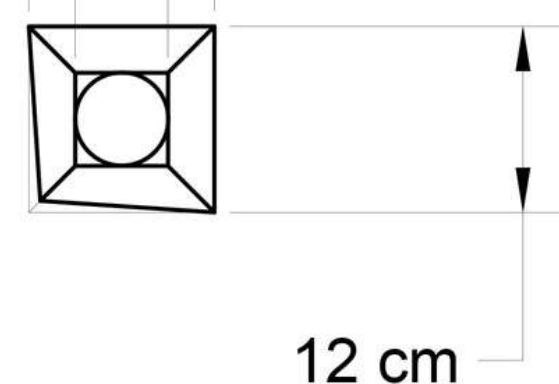
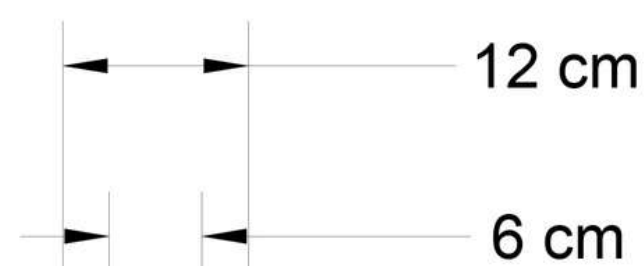
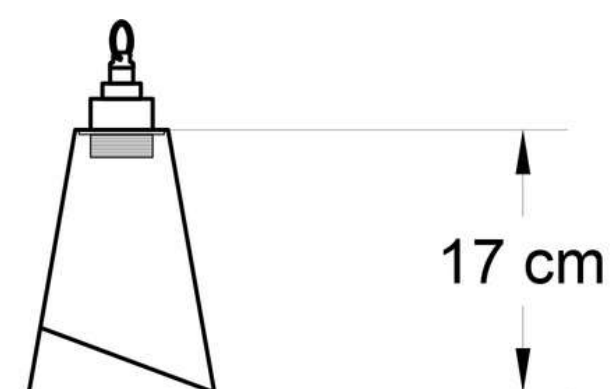
Dark bronze patina.

ILLUMINATION

All the electrical components are included (except bulb).
Lamp holder E27 listed screw type
bronze aged metal.

CEILING MOUNTED

Suspension cable cm 150, electric cable
cm 180 and glass ceiling cup per lamp.
All components supplied.







CLASSICA big

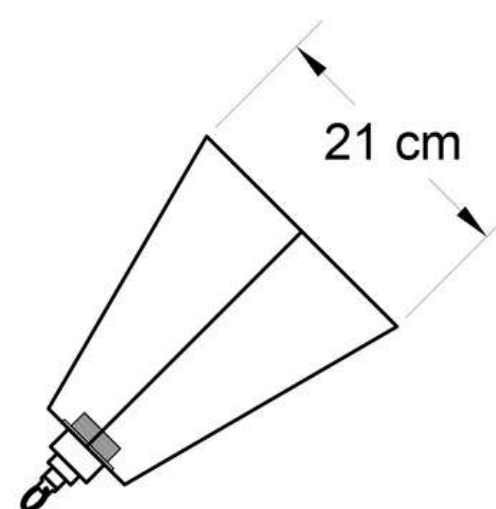
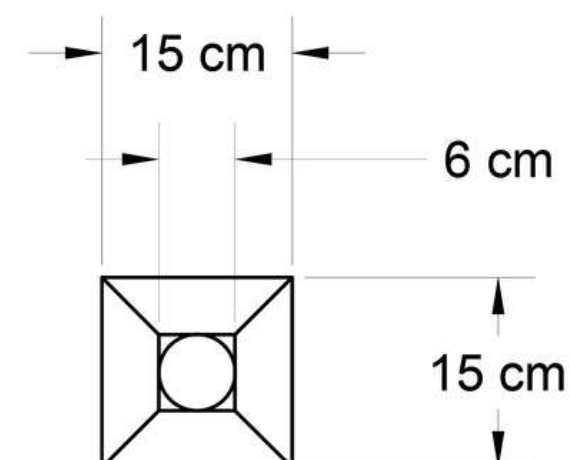
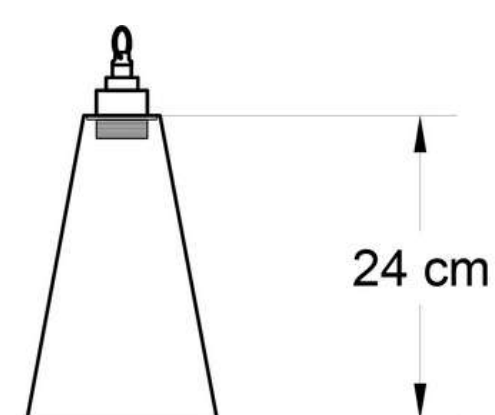
WEIGHT
1,100 kg ca.

MATERIALS
Black opal iridescents glass, golden leaf inside and tinned copper as ancient Tiffany technique.

FINISH
Dark bronze patina.

ILLUMINATION
All the electrical components are included (except bulb).
Lamp holder E27 listed screw type
bronze aged metal.

CEILING MOUNTED
Suspension cable cm 150, electric cable
cm 180 and glass ceiling cup per lamp.
All components supplied.





CLASSICA small

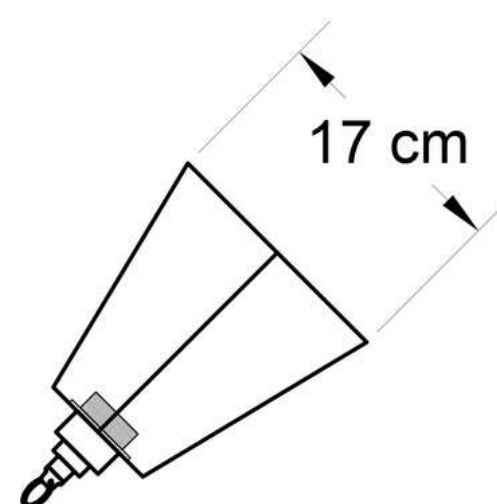
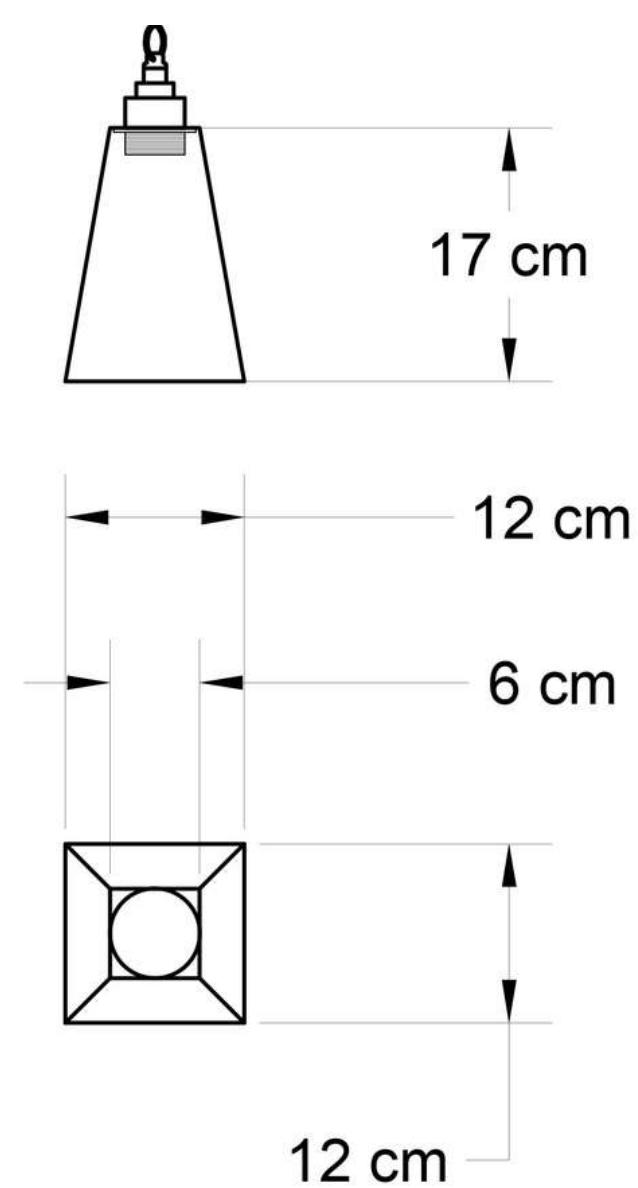
WEIGHT
0,9 kg ca.

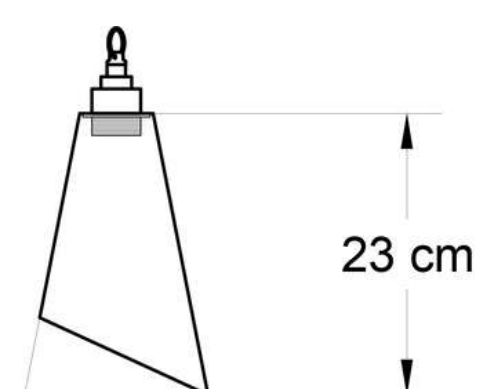
MATERIALS
Black opal iridescents glass, golden leaf inside and tinned copper as ancient Tiffany technique.

FINISH
Dark bronze patina.

ILLUMINATION
All the electrical components are included (except bulb).
Lamp holder E27 listed screw type
bronze aged metal.

CEILING MOUNTED
Suspension cable cm 150, electric cable
cm 180 and glass ceiling cup per lamp.
All components supplied.





DIAGONALE big

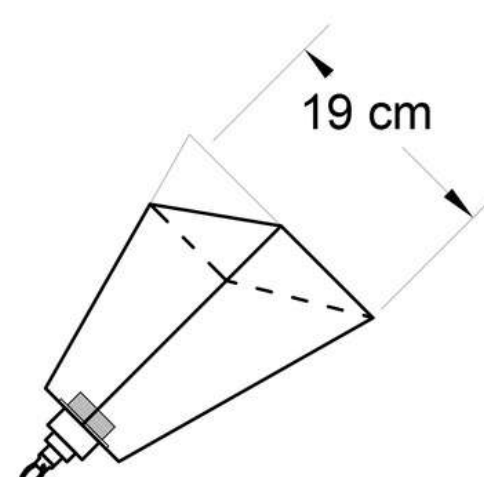
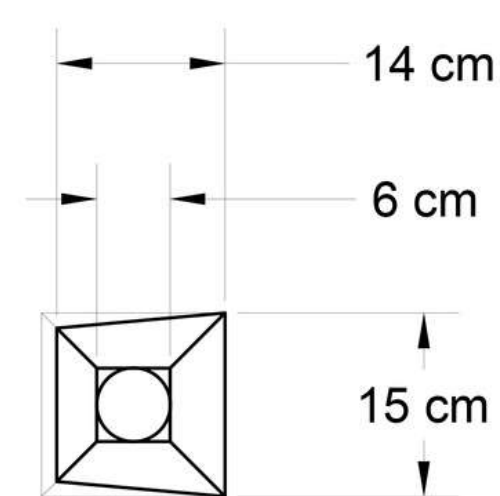
WEIGHT
1,100 kg ca.

MATERIALS
Black opal iridescents glass, golden leaf inside and tinned copper as ancient Tiffany technique.

FINISH
Dark bronze patina.

ILLUMINATION
All the electrical components are included (except bulb).
Lamp holder E27 listed screw type
bronze aged metal.

CEILING MOUNTED
Suspension cable cm 150, electric cable
cm 180 and glass ceiling cup per lamp.
All components supplied.





DIAGONALE small

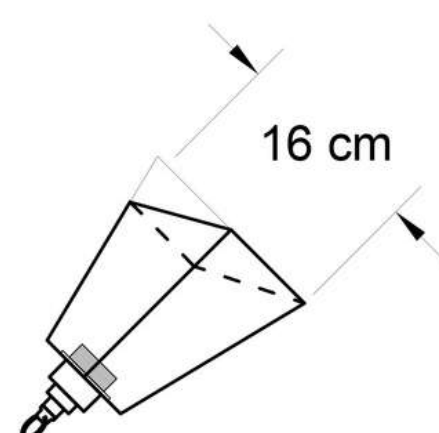
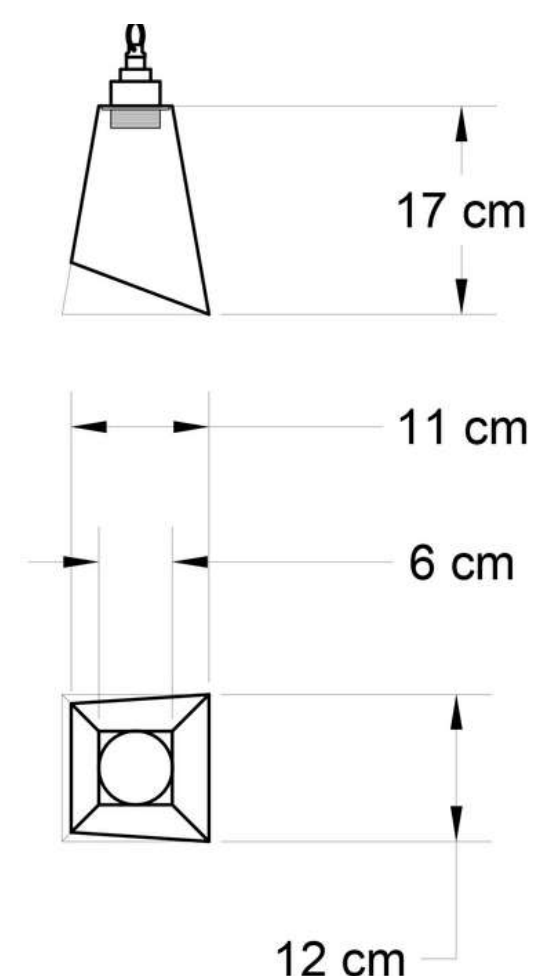
WEIGHT
0,9 kg ca.

MATERIALS
Black opal iridescents glass, golden leaf inside and tinned copper as ancient Tiffany technique.

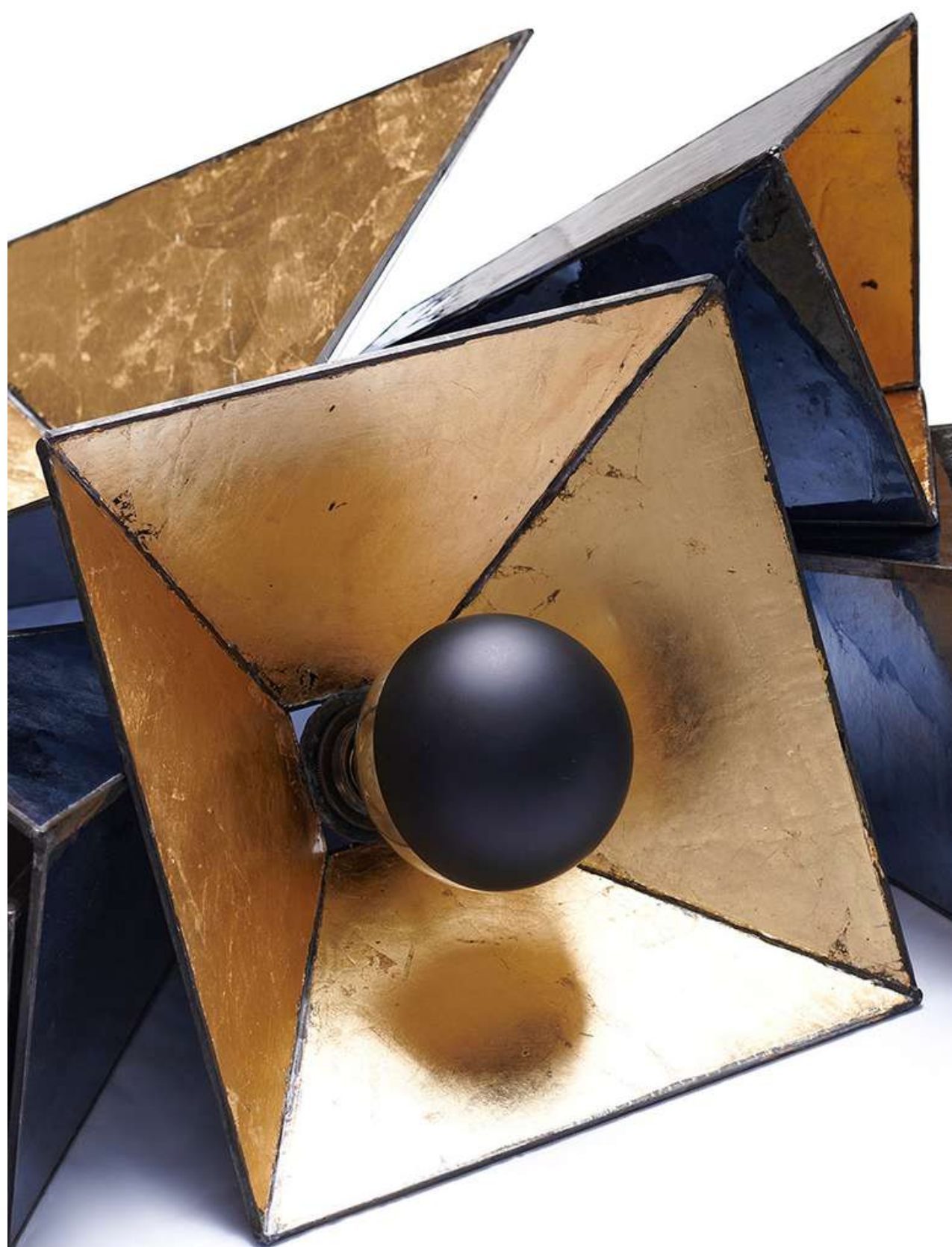
FINISH
Dark bronze patina.

ILLUMINATION
All the electrical components are included (except bulb).
Lamp holder E27 listed screw type
bronze aged metal.

CEILING MOUNTED
Suspension cable cm 150, electric cable cm 180 and glass ceiling cup per lamp.
All components supplied.







PAGODA big

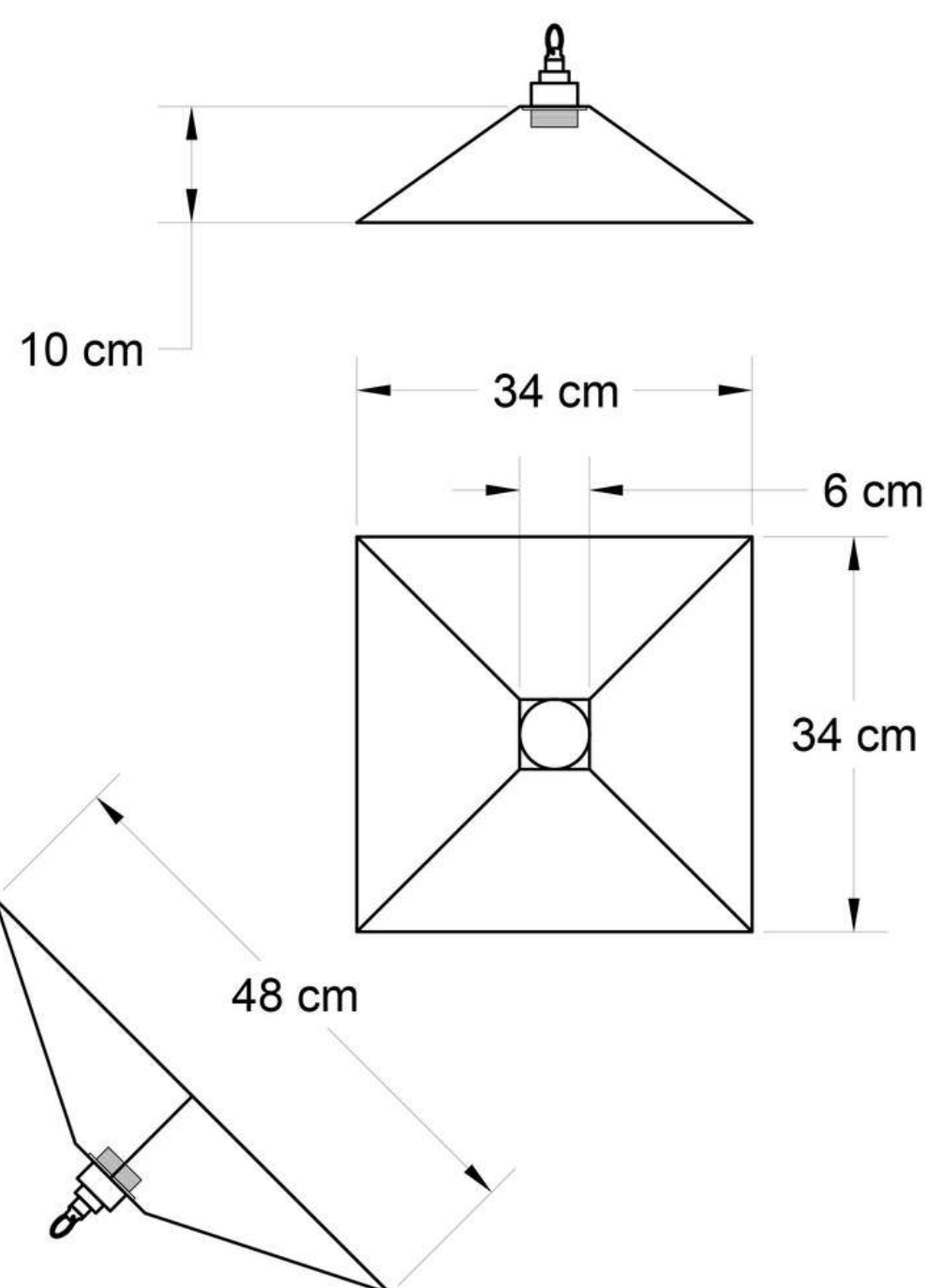
WEIGHT
1,5 kg ca.

MATERIALS
Black opal iridescents lass, golden leaf inside and tinned copper as ancient Tiffany technique.

FINISH
Dark bronze patina.

ILLUMINATION
All the electrical components are included (except bulb).
Lamp holder E27 listed screw type
bronze aged metal.

CEILING MOUNTED
Suspension cable cm 150, electric cable
cm 180 and glass ceiling cup per lamp.
All components supplied.





PAGODA medium

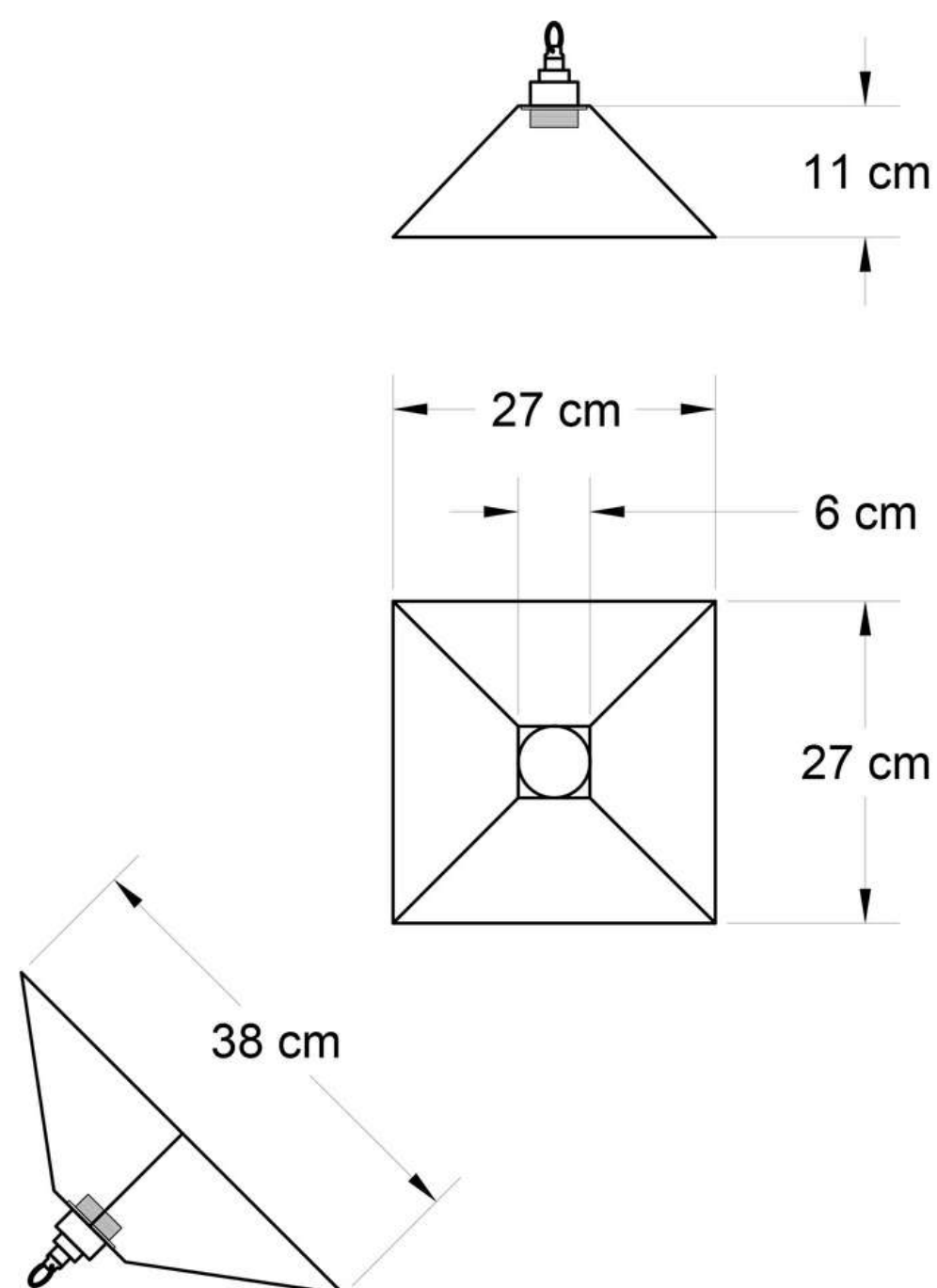
WEIGHT
1,2 kg ca.

MATERIALS
Black opal iridescents glass, golden leaf inside and tinned copper as ancient Tiffany technique.

FINISH
Dark bronze patina.

ILLUMINATION
All the electrical components are included (except bulb).
Lamp holder E27 listed screw type
bronze aged metal.

CEILING MOUNTED
Suspension cable cm 150, electric cable
cm 180 and glass ceiling cup per lamp.
All components supplied.





PAGODA small

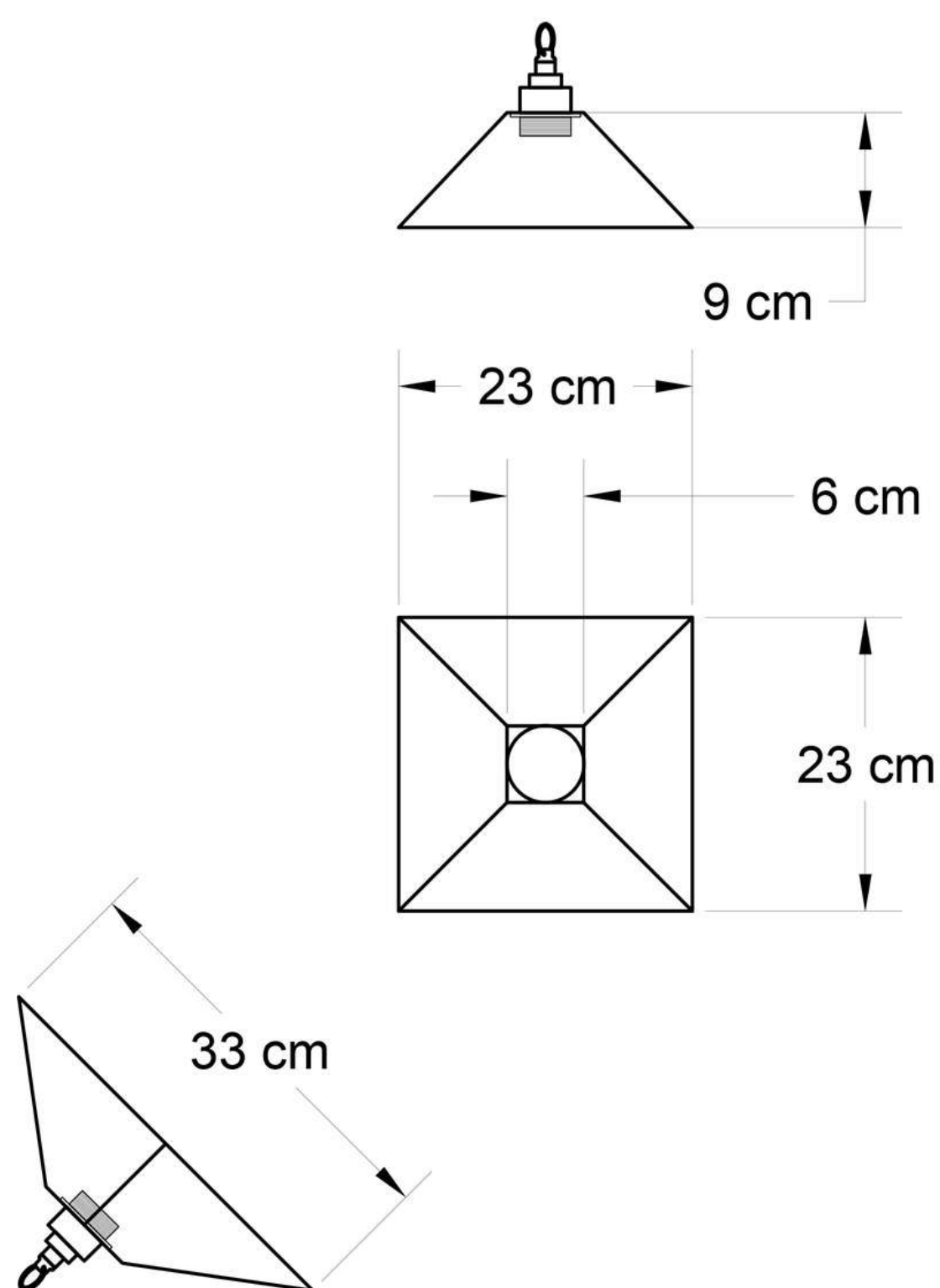
WEIGHT
0,95 kg ca.

MATERIALS
Black opal iridescents lass, golden leaf inside and tinned copper as ancient Tiffany technique.

FINISH
Dark bronze patina.

ILLUMINATION
All the electrical components are included (except bulb).
Lamp holder E27 listed screw type
bronze aged metal.

CEILING MOUNTED
Suspension cable cm 150, electric cable cm 180 and glass ceiling cup per lamp.
All components supplied.





PAGODA small

PAGODA big

PAGODA medium



SHIPPING

Due to the fragile nature of the works, the shipping process includes careful packing and handling of each item by an experienced shipping partner.

We offer worldwide shipping, although some import and export restrictions may apply.

Shipping costs are determined by the size and weight of the item purchased, as well as the shipping destination and origin of the item. All packaging, handling and insurance costs are included in the shipping cost. The price of shipping will be communicated to you when you place your order. when we have all the necessary details.

Insurance depends on the price of your order and is automatically included in the shipping cost.

STUDIOSILICE works mainly with FEDEX and UPS couriers.

When your order is shipped, you will receive a shipment confirmation email with a tracking number. You can check the status of your package and the estimated delivery date online using the tracking number. If you order multiple items, they may be shipped and delivered separately.

Customers outside the EU may be subject to customs duties and taxes when the shipment arrives in their country. Customs and clearance fees are collected by the courier company. Duties and taxes change depending on the country and the products ordered, so we are unable to inform you exactly how much you will pay. By placing your order you agree to customs clearance of the goods.