

STUDIOSILICE

ART GLASS DESIGN



A LIGHTING COLLECTION

NUDE

www.studiosilice.com



Each of these lamps is a unique piece designed and handmade in our studio located in the heart of Rome, Italy.

A set of different shapes that combine the transparency of glass with geometric lines. They resemble the old Italian glass lanterns but redefined in a modern style.

The luminous atmosphere that the lamps of the "NUDE" collection create is warm, intimate and cosy.



LUCIA small

LUCIA big



LUCIA big

WEIGHT

1.40 kg ca.

MATERIALS

Glass and tinned copper as ancient Tiffany technique.

FINISH

Dark bronze patina.

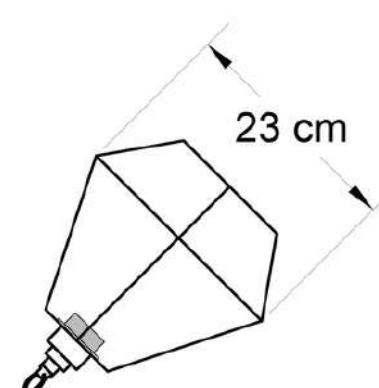
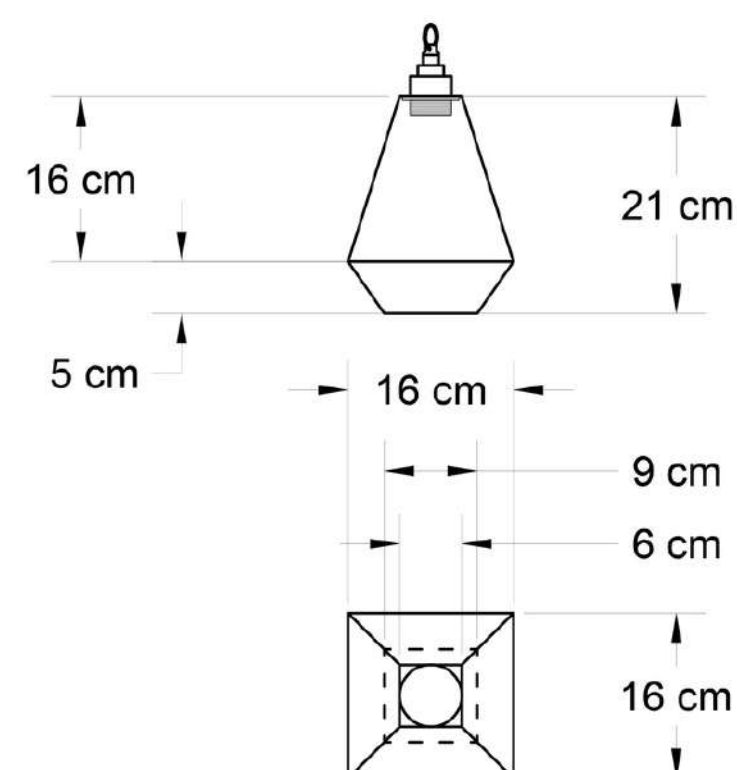
ILLUMINATION

All the electrical components are included (except bulb).

Lamp holder E27 listed screw type
bronze aged metal.

CEILING MOUNTED

Suspension cable cm 150, electric cable
cm 180 and glass ceiling cup per lamp.
All components supplied.





LUCIA small

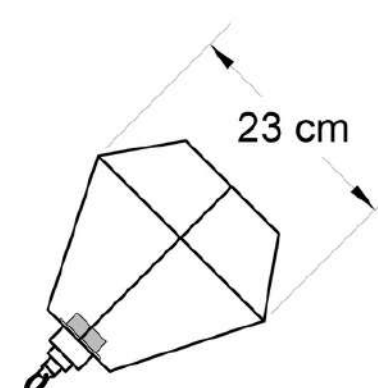
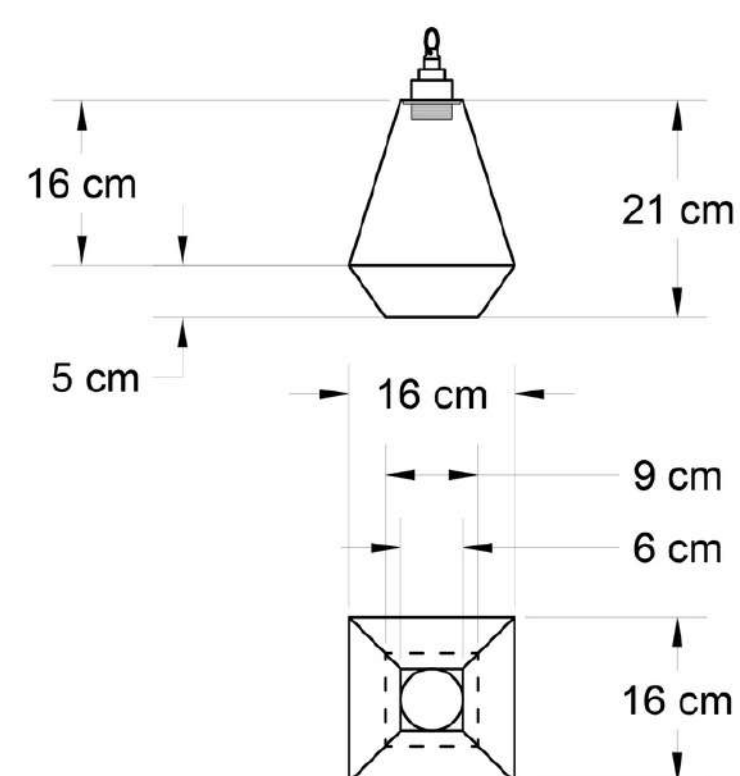
WEIGHT
1.10 kg ca.

MATERIALS
Glass and tinned copper as ancient Tiffany technique.

FINISH
Dark bronze patina.

ILLUMINATION
All the electrical components are included (except bulb).
Lamp holder E27 listed screw type
bronze aged metal.

CEILING MOUNTED
Suspension cable cm 150, electric cable
cm 180 and glass ceiling cup per lamp.
All components supplied.





FRANCESCA



FRANCESCA

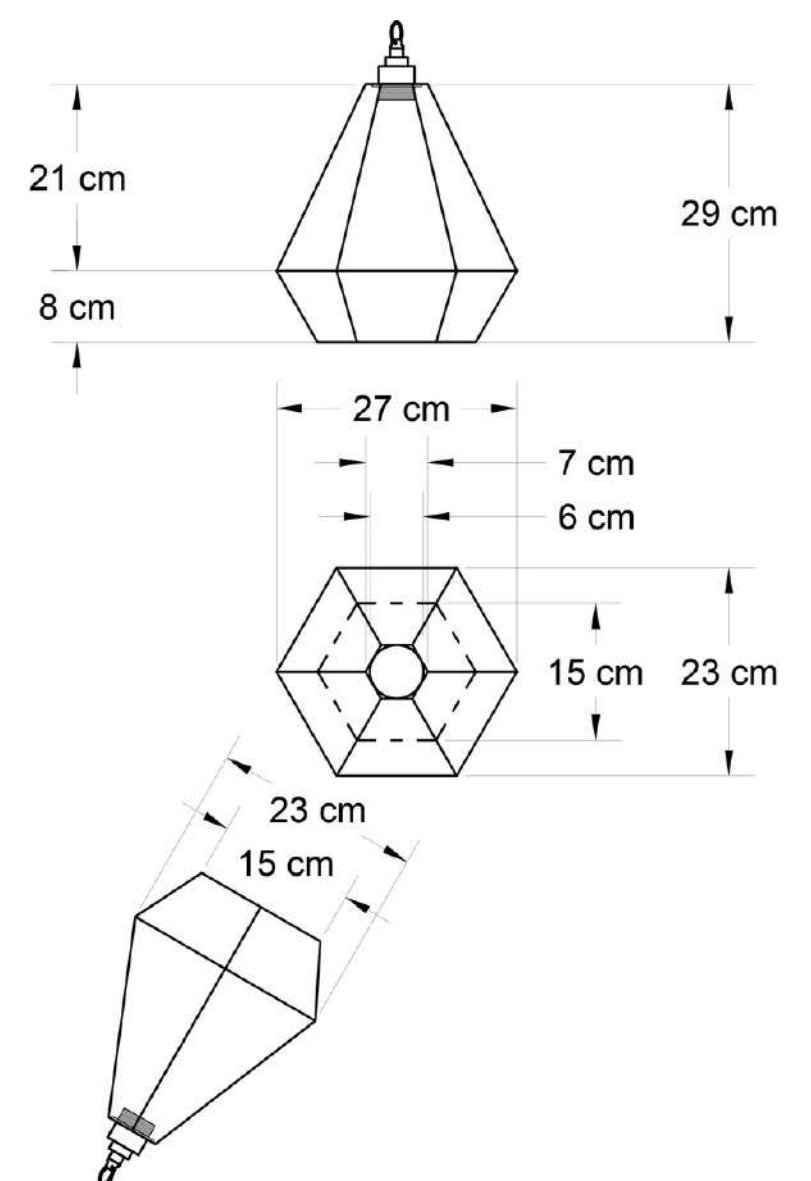
WEIGHT
1.70 kg ca.

MATERIALS
Glass and tinned copper as ancient Tiffany technique.

FINISH
Dark bronze patina.

ILLUMINATION
All the electrical components are included (except bulb).
Lamp holder E27 listed screw type
bronze aged metal.

CEILING MOUNTED
Suspension cable cm 150, electric cable cm 180 and glass ceiling cup per lamp.
All components supplied.





ELENA

FRANCESCA



ELENA

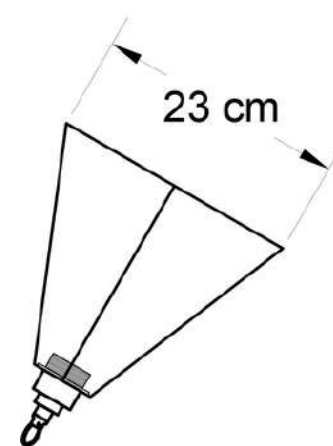
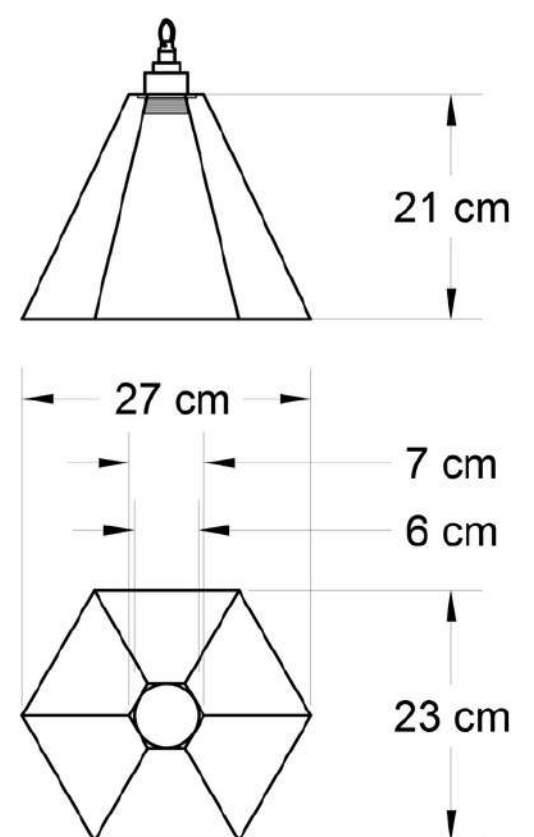
WEIGHT
1.70 kg ca.

MATERIALS
Glass and tinned copper as ancient Tiffany technique.

FINISH
Dark bronze patina.

ILLUMINATION
All the electrical components are included (except bulb).
Lamp holder E27 listed screw type
bronze aged metal.

CEILING MOUNTED
Suspension cable cm 150, electric cable
cm 180 and glass ceiling cup per lamp.
All components supplied.





ANITA

ANNA



ANNA

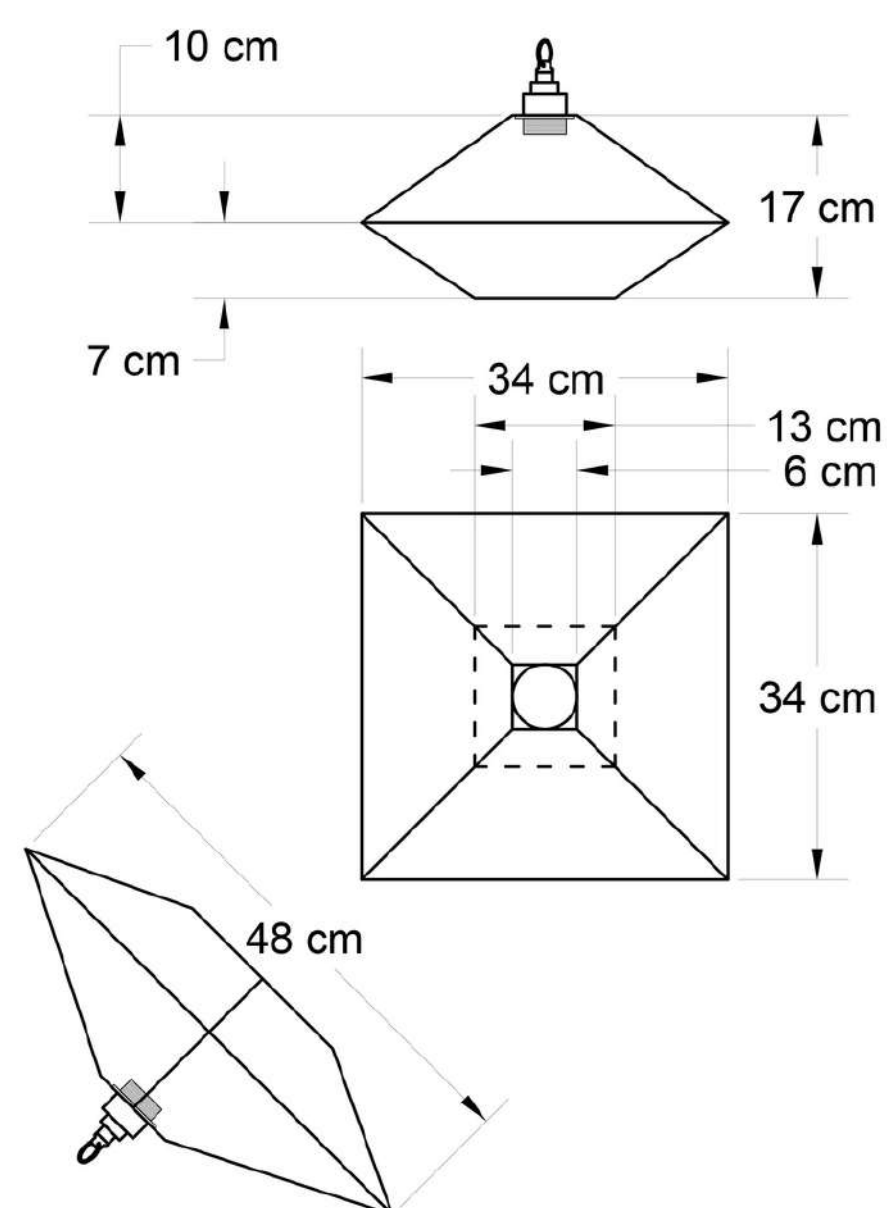
WEIGHT
2.30 kg ca.

MATERIALS
Glass and tinned copper as ancient Tiffany technique.

FINISH
Dark bronze patina.

ILLUMINATION
All the electrical components are included (except bulb).
Lamp holder E27 listed screw type
bronze aged metal.

CEILING MOUNTED
Suspension cable cm 150, electric cable
cm 180 and glass ceiling cup per lamp.
All components supplied.





ANNA

ANITA



ANITA

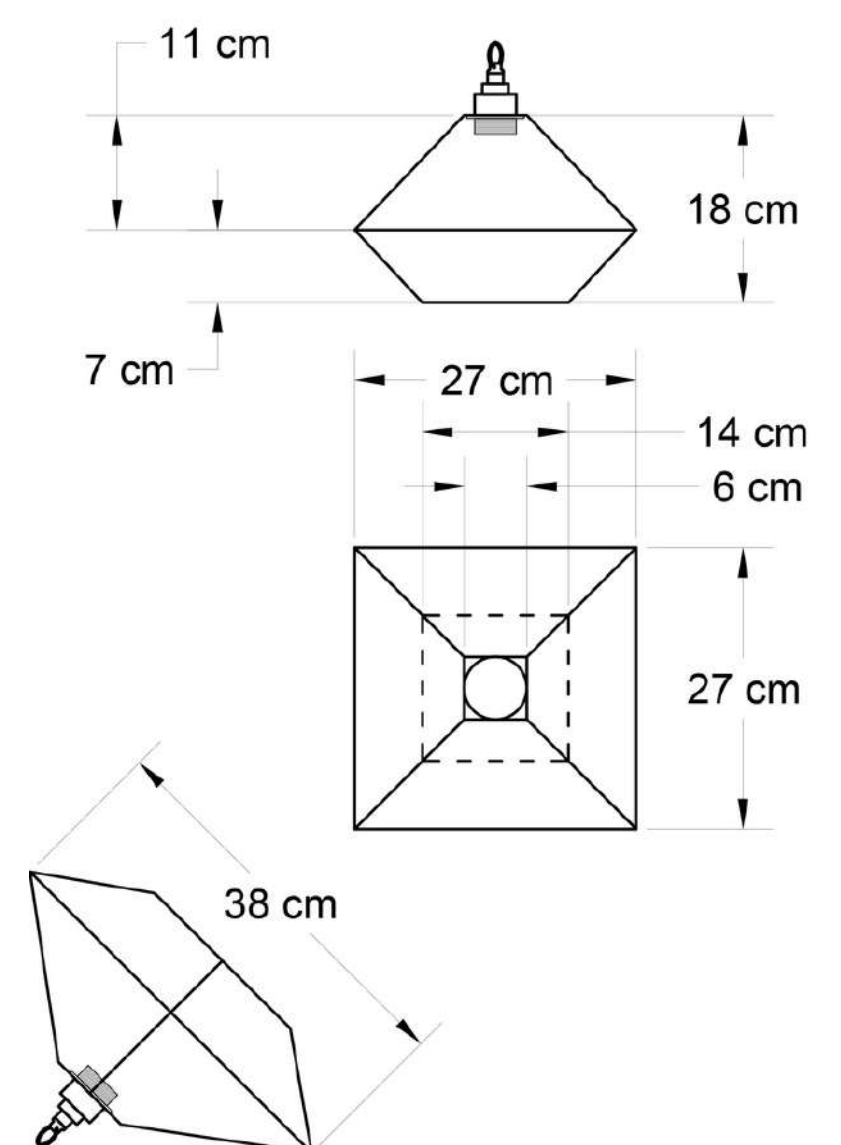
WEIGHT
1.70 kg ca.

MATERIALS
Glass and tinned copper as ancient Tiffany technique.

FINISH
Dark bronze patina.

ILLUMINATION
All the electrical components are included (except bulb).
Lamp holder E27 listed screw type
bronze aged metal.

CEILING MOUNTED
Suspension cable cm 150, electric cable
cm 180 and glass ceiling cup per lamp.
All components supplied.





MICHELA big

ALICE



MICHELA big

WEIGHT

1.00 kg ca.

MATERIALS

Glass and tinned copper as ancient Tiffany technique.

FINISH

Dark bronze patina.

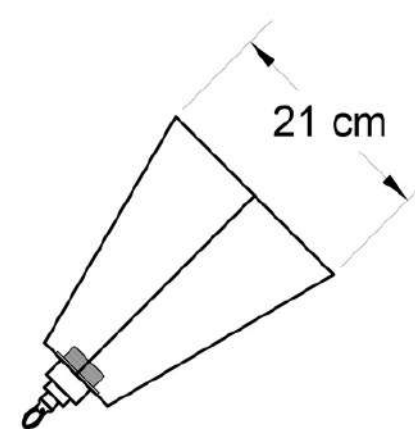
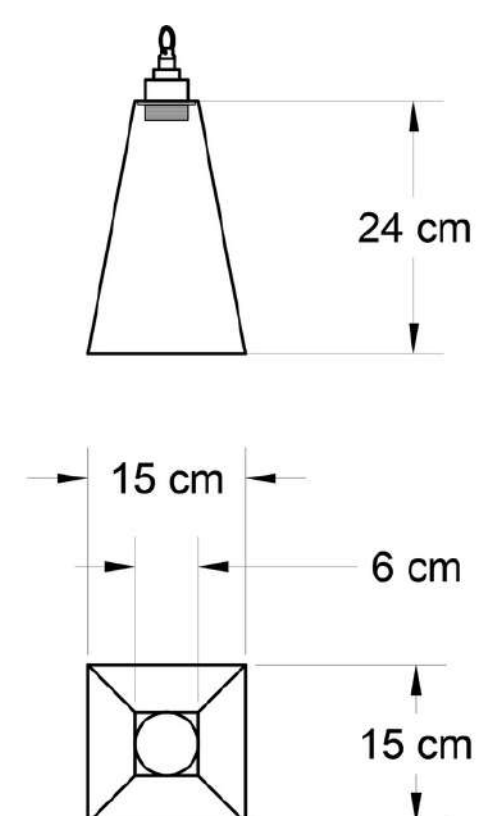
ILLUMINATION

All the electrical components are included (except bulb).

Lamp holder E27 listed screw type bronze aged metal.

CEILING MOUNTED

Suspension cable cm 150, electric cable cm 180 and glass ceiling cup per lamp.
All components supplied.





MICHEL small

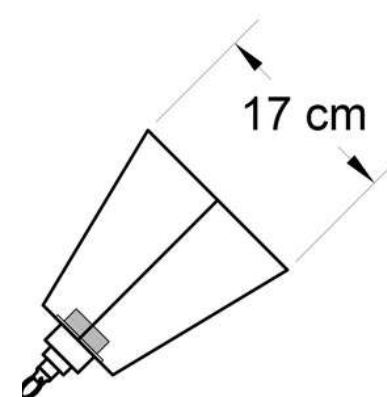
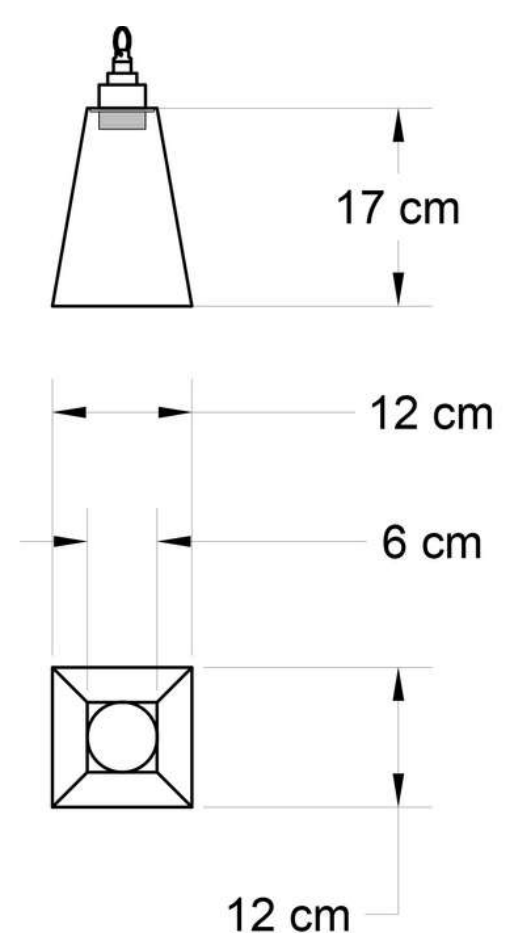
WEIGHT
0.8 kg ca.

MATERIALS
Glass and tinned copper as ancient Tiffany technique.

FINISH
Dark bronze patina.

ILLUMINATION
All the electrical components are included (except bulb).
Lamp holder E27 listed screw type
bronze aged metal.

CEILING MOUNTED
Suspension cable cm 150, electric cable
cm 180 and glass ceiling cup per lamp.
All components supplied.





ALICE

WEIGHT
1.50 kg ca.

MATERIALS
Glass and tinned copper as ancient Tiffany technique.

FINISH
Dark bronze patina.

ILLUMINATION
All the electrical components are included (except bulb).
Lamp holder E27 listed screw type
bronze aged metal.

CEILING MOUNTED
Suspension cable cm 150, electric cable
cm 180 and glass ceiling cup per lamp.
All components supplied.

